



# KSR117

## 1U rack mount 17" TFT console

KSR117 is cost efficiency industrial level input solution, easy to install and use.

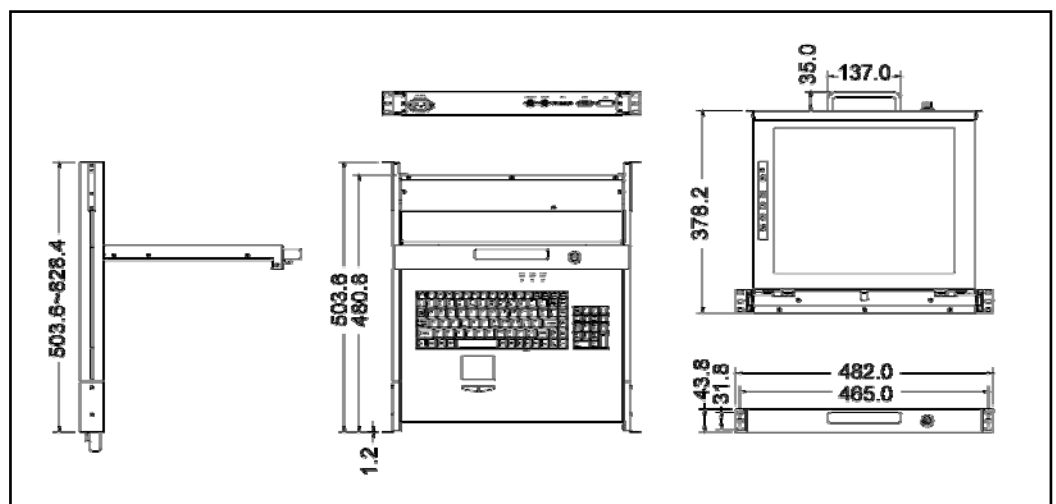
KSR117 provide optimize your space utilization by controlling your system in just 1U rack space.

### Features

- Single Rail easy to install and use
- Support 17 various keyboard languages
- Bright Active Matrix TFT Display
- OSD function (On Screen Display) for LCD display
- Durable keyboards
- Panel protected by tempered glass
- Support USB K/B, touchpad



### Dimension and diagram



# KSR117

1U rack mount 17" TFT console

Model Name	KSR117
Number of ports	1
Dimension	482 x 447.5 x 44 mm / 19.0 x 17.6 x 1.7 inches
Package Dimension	677 x 564 x 206 mm / 26.7 x 22.2 x 8.1 inches
Net Weight	12.0 Kg / 26.5 lbs
Gross Weight	18.5 Kg / 40.8 lbs
Display Size	17 inches
Panel Type	Active Matrix TFT LCD
Resolution Capabilities	Maximum Resolution up to 1280 x 1024 (SXGA)
Pixel Pitch	Supports 0.264 mm x 0.264 mm
Viewing Angle (CR>10)	Right-Left view 60° ~ 70° (Typ) Up-Down View 45° ~ 60° (Typ)
Contrast Ratio	450 : 1
Brightness	White 250 cd/m <sup>2</sup> (Center 1 point Typ)
Back Light	Four Lamps for Back Light
Supported Colors	16.2M Colors (6-bit with FRC)
Response Time	Rising Time 2 ms, Decay Time 14 ms
Operating System	DOS, Windows (3.1, 9x, 2000, NT4, ME, XP, 2003 Server) Linux, Novell 3.12-6, HP UX, SUN
Multi Platform	Support PS/2 and USB interface
System Cables	VGA + 2 x PS/2 or VGA + 1 x USB cable
Keyboard Mouse	106 key PS/2 keyboard with touch pad
Sync	45 ~ 80 KHz
Power Source	100 ~ 240 VAC input
Power Consumption	25W, 19.05W for Panel
Temperature	Operate 0° ~ 50° C / 32° ~ 122° F Storage-20° ~ 60° C / -4° ~ 140° F
Humidity	10% ~ 90% RH
Chassis Construction	Heavy duty steel materials
Keyboard Language	USA, UK, German, French, Spanish, Italian, Portuguese, Dutch, Swiss, Belgium, Swedish, Norwegian, Danish, Japan, Taiwan, Russian, Hebrew
Certification	CE / FCC, UL / CUL / C-Tick

## Ordering Optional

Color (Black / Beige / OEM color)

Cherry keyboard with trackball (PS/2 only)

Additional SUN function key

Rear bracket extension up to 1000mm

Signal cable 1.8m / 3.0m / 5.0m